

Fax Option Type 3245 (B712)
G3 Interface Unit Type 3245 (B713)

**Fax Option Type 3245 (B712)
G3 Interface Unit Type 3245 (B713)**

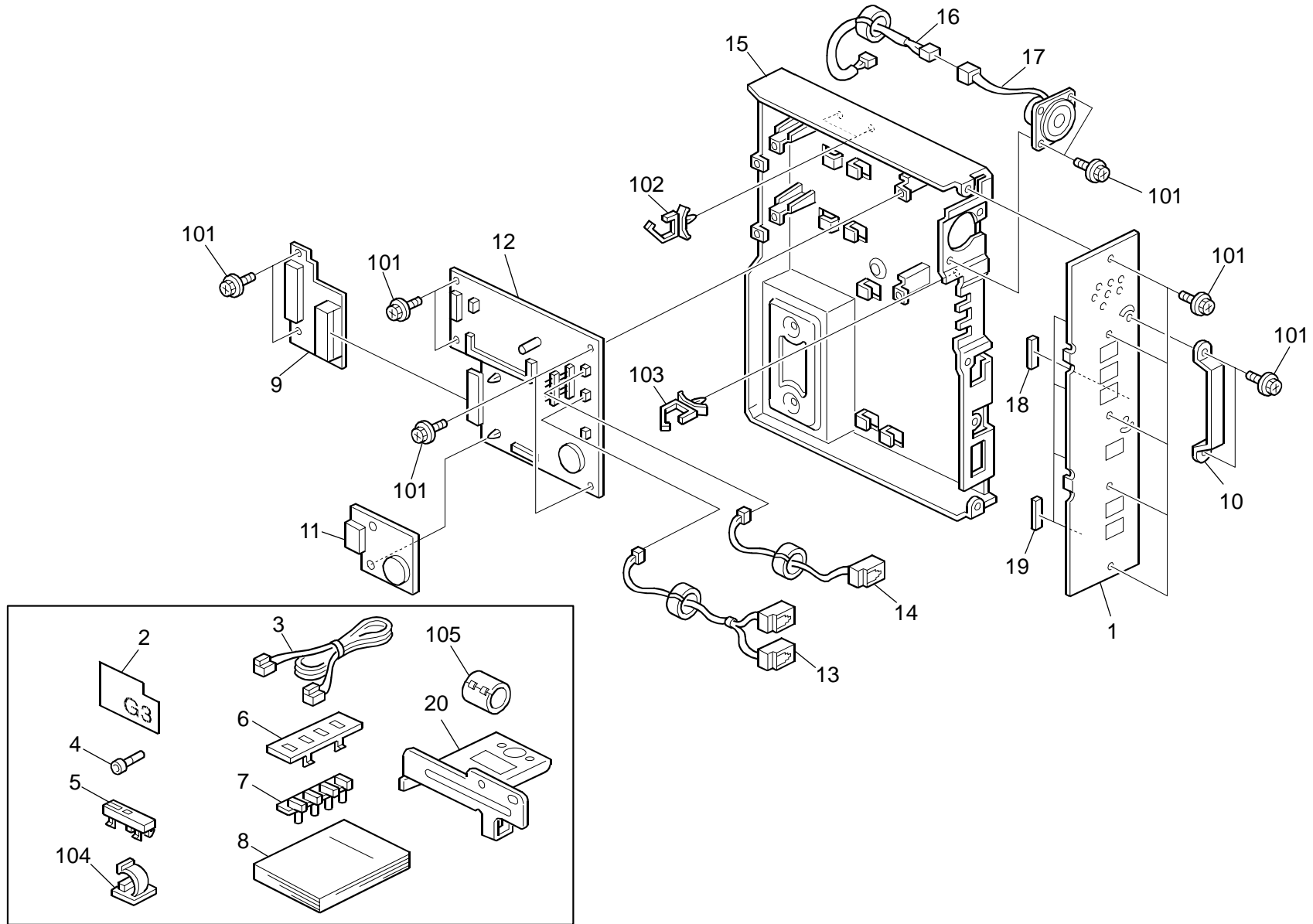
PARTS CATALOG

This catalog gives the numbers and names of parts on this machine.

1.FAX OPTION (B712)	2
2.G3 UNIT (B713)	4
PARTS INDEX.....	7

February ,10 ' 2005

1.FAX OPTION (B712)

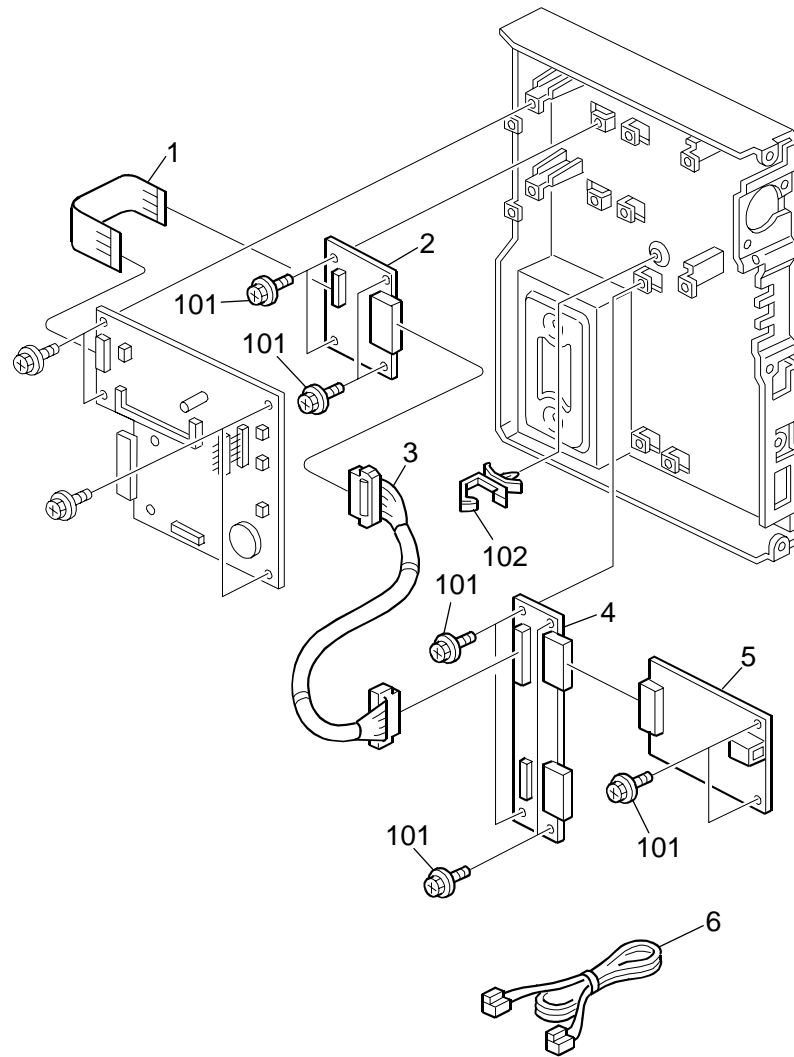


1.FAX OPTION (B712)

Index No.	Part No.	Description	Q'ty Per Assembly
1	B712 5614	Panel:Fax Control Unit	1
2	B404 3861	SG3 Decal	1
3	H523 5350	Telephone Cable (NA)	1
4	H511 5007	Stamp	1
5	G570 2065	Keypop SW - Fax	1
5	G570 2075	Keypop SW - Fax	1
6	G570 2069	Keypop Cover - Right	1
7	G570 1970	Keypop - Right	1
8	B712 8510	Operating Instructions:Fax:NA:English:1	1
8	B712 8511	Operating Instructions:Fax:NA:English:2	1
9	B712 5175	PCB:FCUIF1:Ass'y	1
10	B712 5605	Grip:Application	1
11	B712 5183	PCB:MBU	1
12	B712 5172	PCB:GWFCU3:NA	1
12	B712 5174	PCB:GWFCU3:EU	1
13	B712 5274	Harness:Modular:Tel:NA	1
13	B712 5275	Harness:Modular:Tel:EU	1
14	B712 5270	Harness:Modular:Line	1
14	B712 5272	Harness:Modular:Line:EU	1
15	B712 5600	Bracket:Fax Control Unit	1
16	B712 5278	Harness:Speaker:Connecting:EC	1
17	B712 5050	Speaker:GR:100	1
18	B180 5999	Gasket:EGUN1-0205:85mm	1
19	B180 5618	Gasket:EGUN1-0105:50mm	1
20	B404 5821	Handset Bracket	1

Index No.	Part No.	Description	Q'ty Per Assembly
101	0360 3006N	Screw - M3X6	
102	1105 0516	Clamp	
103	1105 0489	Harness Clamp - LWS 1316	
104	1105 0026	CK Clamp	
105	1607 1460	Ferrite Core:RFC-9	

2.G3 UNIT (B713)



2.G3 UNIT (B713)

Index No.	Part No.	Description	Q'ty Per Assembly
1	B712 5277	Harness:FCU-CCU	1
2	B712 5195	PCB:CCUDRV	1
3	B712 5276	Harness:CCUIF	1
4	B712 5190	PCB:CCUIF	1
5	B713 5172	PCB:SG3-NEO:NA	1
5	B713 5174	PCB:SG3-NEO:EA	1
6	H523 5350	Telephone Cable	1

Index No.	Part No.	Description	Q'ty Per Assembly
101	0451 3006N	Tapping Screw - 3x6	
102	1105 0508	Harness Clamp - LWS-0711	

Parts Index

Part No.	Description	Page and Index No.
B712 5050	Speaker:GR:100	3 - 17
B712 5172	PCB:GWFCU3:NA	3 - 12
B712 5174	PCB:GWFCU3:EU	3 - 12
B712 5175	PCB:FCUIF1:Ass'y	3 - 9
B712 5183	PCB:MBU	3 - 11
B712 5190	PCB:CCUIF	5 - 4
B712 5195	PCB:CCUDRV	5 - 2
B712 5270	Harness:Modular:Line	3 - 14
B712 5272	Harness:Modular:Line:EU	3 - 14
B712 5274	Harness:Modular:Tel:NA	3 - 13
B712 5275	Harness:Modular:Tel:EU	3 - 13
B712 5276	Harness:CCUIF	5 - 3
B712 5277	Harness:FCU-CCU	5 - 1
B712 5278	Harness:Speaker:Connecting:EC	3 - 16
B712 5600	Bracket:Fax Control Unit	3 - 15
B712 5605	Grip:Application	3 - 10
B712 5614	Panel:Fax Control Unit	3 - 1
B712 8510	Operating Instructions:Fax:NA:English:1	3 - 8
B712 8511	Operating Instructions:Fax:NA:English:2	3 - 8

Part No.	Description	Page and Index No.
B180 5618	Gasket:EGUN1-0105:50mm	3 - 19
B180 5999	Gasket:EGUN1-0205:85mm	3 - 18
B404 3861	SG3 Decal	3 - 2
B404 5821	Handset Bracket	3 - 20
B502 7180	Right Cover Keytop - Taiwan	3 - 6
B713 5172	PCB:SG3-NEO:NA	5 - 5
B713 5174	PCB:SG3-NEO:EA	5 - 5
G570 1970	Keytop - Right	3 - 7
G570 2065	Keytop SW - Fax	3 - 5
G570 2069	Keytop Cover - Right	3 - 6
G570 2075	Keytop SW - Fax	3 - 5
H511 5007	Stamp	3 - 4
H523 5350	Telephone Cable (NA)	3 - 3
H523 5350	Telephone Cable	5 - 6

Part No.	Description	Page and Index No.
0360 3006N	Screw - M3X6	3 - 101
0451 3006N	Tapping Screw - 3x6	5 - 101
1105 0026	CK Clamp	3 - 104
1105 0489	Harness Clamp - LWS 1316	3 - 103
1105 0508	Harness Clamp - LWS-0711	5 - 102
1105 0516	Clamp	3 - 102
1607 1460	Ferrite Core:RFC-9	3 - 105

Part No.	Description	Page and Index No.